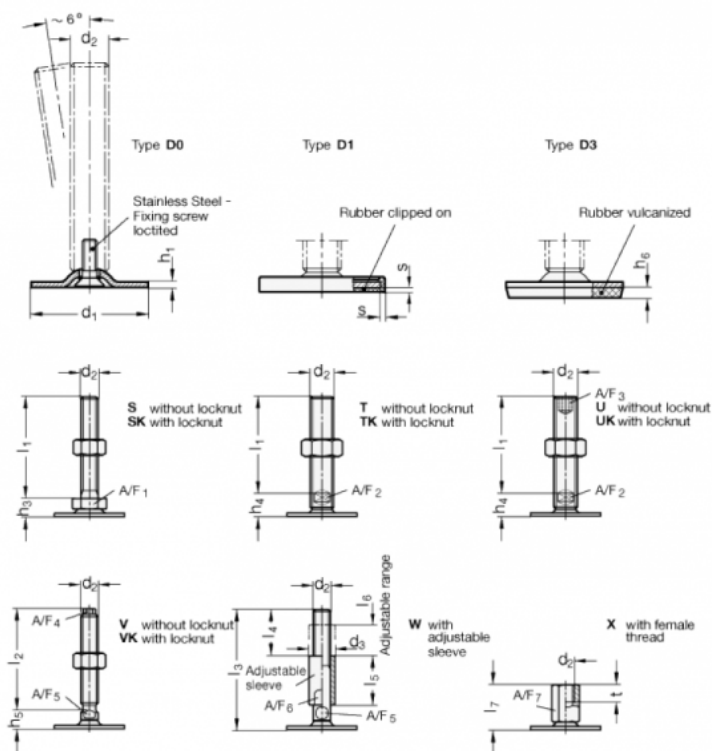


Article number: 204150M16200D3TK
 Description: E+G levelling foot
 GN 41-50-M16-200-D3-TK
 Note: TK With nut, Wrench flat at the bottom

Measures



- A/F2 = 12
- d1 = 50
- d2 = M16
- h1 = 2.5
- h4 = 17
- h6 = 4
- l1 = 200
- s =